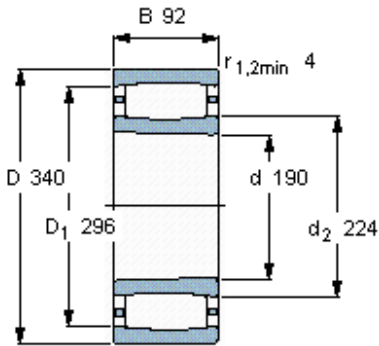
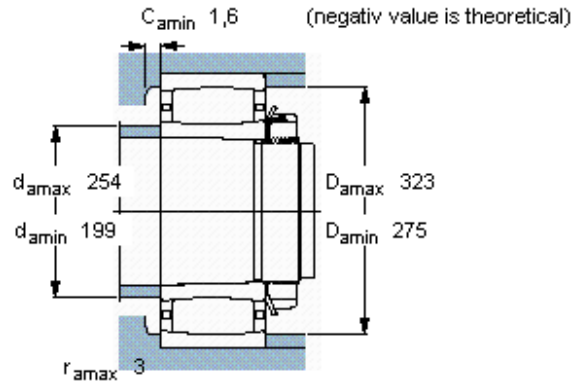
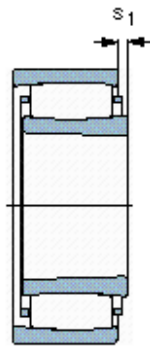


CARB toroidal roller bearings, cylindrical and tapered bore

Principal dimensions			Basic load ratings		Speed ratings		Designation	
d	D	B	dynamic C	static C0	Reference speed	Limiting speed		
mm			kN		r/min			
<b>190</b>	340	92	1370	1730	1800	2400	<b>* SKF Explorer bearing</b>	** Check availability
							<b>C 2238 K *</b>	-



Tapered bore, taper  
1: 12



<b>Axial displacement <math>s_1</math></b>	22,5
<b>Misalignment factor <math>k_1</math></b>	0,108
<b>Operating clearance factor <math>k_2</math></b>	0,108